

Docking Entertainment System

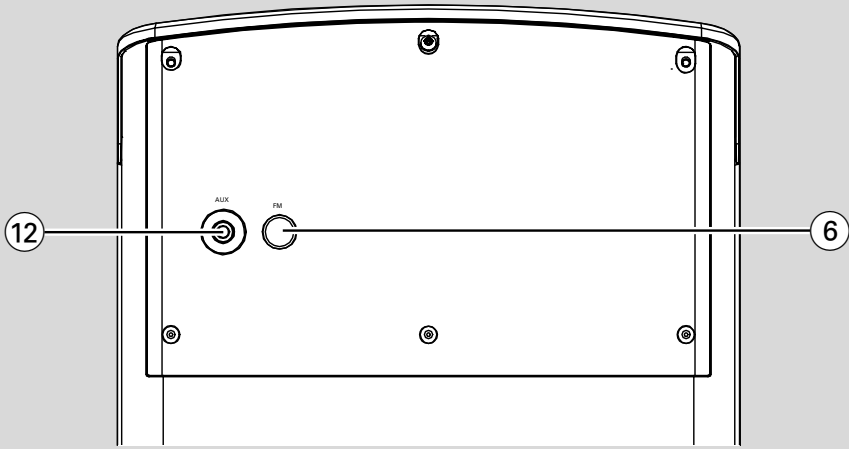
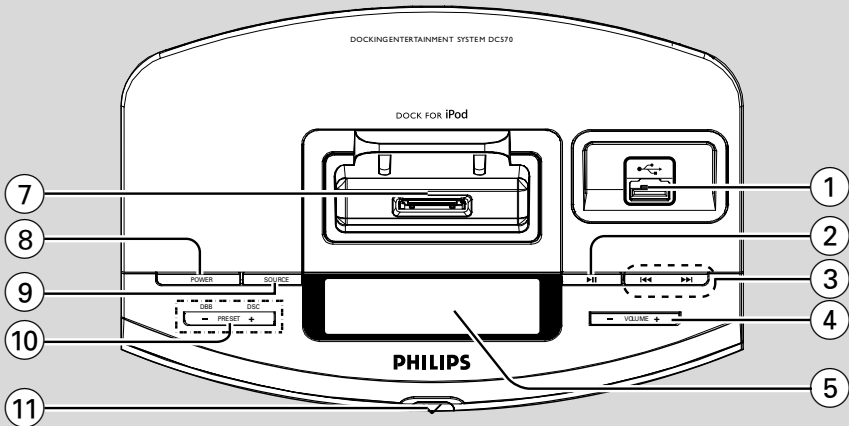
DC570

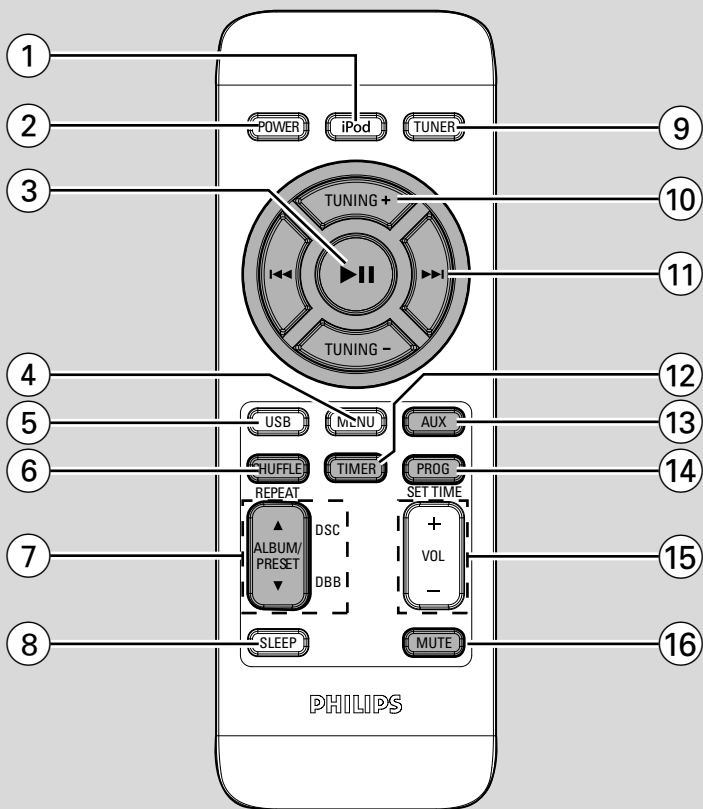
Register your product and get support at
www.philips.com/welcome

User manual



PHILIPS





CAUTION

Visible and invisible laser radiation. If the cover is open, do not look at the beam.

General Information

Environmental Information	7
Supplied accessories	7
Safety Information	7

Preparations

Rear connections	8
Connecting a USB device	9
Connecting other equipment to your system	9
Before using the remote control	9
Replacing the remote control battery	9

Controls

Main unit	10
Remote Control	11

Basic Functions

Switching the system on	12
Switching the system to Eco Power standby mode	12
Switching the system to standby mode	12
Power Saving Automatic Standby	12
Adjusting volume and sound	12
Sound control	13

USB playback functions

Different play modes: SHUFFLE and REPEAT	14
Programming track numbers	14
Reviewing programmed tracks	14
Changing programmed tracks	14
Erasing the program	14

Radio Reception

Tuning to radio stations	15
Programming radio stations	15
Automatic programming	15
Manual programming	15
Tuning to preset radio stations	15

External Sources

Using a non-USB device	16
Using a USB mass storage device	16

Clock/Timer/Sleep

Clock setting	18
Setting the Alarm Time	18
Stopping the alarm	18
Sleep timer setting	18

iPod Dock

Compatible iPod players	19
Selecting the correct dock adaptor	19
Using the dock adaptors	19
Playing an iPod portable player	19
Charging iPod battery using the dock	19

Specifications

Troubleshooting

Congratulations on your purchase and welcome to Philips!

To fully benefit from the support that Philips offers, register your product at www.philips.com/welcome.

Environmental Information

All unnecessary packaging has been omitted. We have tried to make the packaging easy to separate into three materials: cardboard (box), polystyrene foam (buffer) and polyethylene (bags, protective foam sheet).

Your system consists of materials which can be recycled and reused if disassembled by a specialized company. Please observe the local regulations regarding the disposal of packaging materials, exhausted batteries and old equipment.

Supplied accessories

- remote control (with battery)
- AC power cords
- FM antenna
- 4 X iPod dock adaptors
- 3.5 mm line-in cable

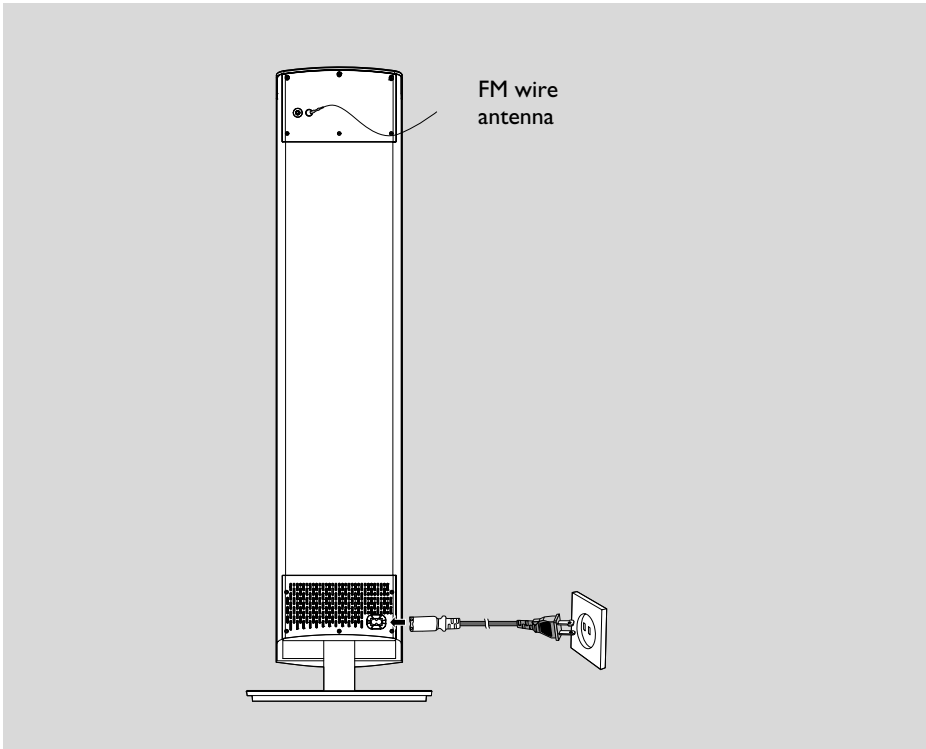
Safety Information

- Before operating the system, check that the operating voltage indicated on the typeplate of your system is identical with the voltage of your local power supply. If not, please consult your dealer.
- Place the system on a flat, hard and stable surface.
- Place the system in a location with adequate ventilation to prevent internal heat build-up in your system. Allow at least 10 cm (4 inches) clearance from the rear and the top of the unit and 5 cm (2 inches) from each side.
- The ventilation should not be impeded by covering the ventilation openings with items, such as newspapers, table-cloths, curtains, etc.
- Do not expose the system, batteries or discs to excessive moisture, rain, sand or heat sources caused by heating equipment or direct sunlight.
- No naked flame sources, such as lighted candles,

should be placed on the apparatus.

- No objects filled with liquids, such as vases, shall be placed on the apparatus.
- Install this unit near the AC outlet and where the AC power plug can be reached easily.
- Where the Mains plug is used as the disconnect device, the disconnect device shall remain readily operable.
- The apparatus shall not be exposed to dripping or splashing.
- **When the system is switched to Standby mode, it is still consuming some power. To disconnect the system from the power supply completely, remove the AC power plug from the wall socket.**

Preparations



Rear connections

The type plate is located at the rear of the system.

A Power

- Before connecting the power cord to the wall outlet, ensure that all other connections have been made.

WARNING!

- For optimal performance, use only the original power cord.
- Never make or change connections with the power switched on.
- If your system is equipped with a voltage selector, set the voltage selector to the local power voltage.

To avoid overheating of the system, a safety circuit has been built in. Therefore, your system may switch to Standby mode

automatically under extreme conditions. If this happens, let the system cool down before reusing it (not available for all versions).

B Antenna Connection

Connect the supplied FM antenna to the FM terminal. Extend and position the FM antenna for optimal reception.

Note:


- Position the FM antenna away from the speaker wires to avoid electrical interference.

C Optional connections

The optional equipment and connecting cords are not supplied. Refer to the operating instructions of the connected equipment for details.


Connecting a USB device

By connecting a USB mass storage device (including USB flash memory, USB flash players) to the system, you can enjoy the device's stored music through the powerful speakers of system.

- Insert the USB device's USB plug into the  socket on the set.

OR


for devices with USB cables:

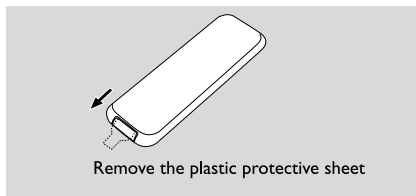
- 1 Insert one plug of the USB cable (not supplied) to the  socket on the set.
- 2 Insert the other plug of the USB cable to the USB port of the USB device.

Connecting other equipment to your system

- Use a line-in-cable to connect AUX IN to the analogue audio out terminals of an external equipment (TV,VCR, Laser Disc player, DVD player or CD Recorder).

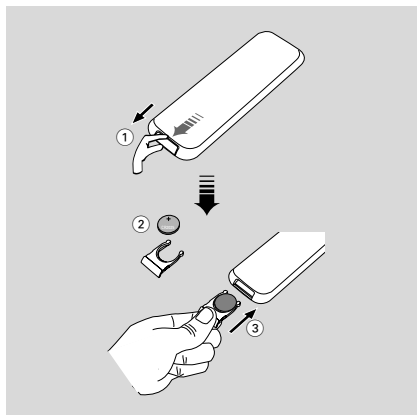
Before using the remote control

- 1 Pull out the plastic protective sheet.
- 2 Select the source you wish to control by pressing one of the source select keys on the remote control (for example USB,TUNER).
- 3 Then select the desired function (for example ).



Replacing the remote control battery (lithium CR2025)

- 1 Press the slot on the battery compartment.
- 2 Pull out the battery compartment.
- 3 Replace a new battery and fully insert the battery compartment back to the original position.



CAUTION!

– Batteries contain chemical substances, so they should be disposed of properly.

Main unit

① **USB DIRECT**

- jack for the connecting an external USB mass storage device and MP3/ WMA players.

② **▶ ||**

- (iPod/USB) starts or interrupts playback.

③ **◀◀▶▶**

- iPod/ USB fast searches back and forward within a track (press and hold).
- skips to the beginning of a current/previous/next track.
- CLOCK adjusts the minutes for the clock/ alarm function.
- TUNER tunes to lower/ higher FM frequency.

④ **VOLUME -/+**

- adjusts the volume level.

⑤ **Display screen**

- shows the status of the system.

⑥ **FM antenna**

- improves FM reception

⑦ **DOCK for iPod**

- cradle for docking adaptors used to dock your iPod player for playback or recharging through this system.

⑧ **Power**

- switches on the system to the last sound source played.
- switches the system to standby mode.

⑨ **Source**

- to select the respective sound source: USB, iPod, FM, or AUX.

⑩ **PRESET -/+**

- (USB) skips to the beginning of a previous/ subsequent album.
- adjusts the hours for the clock/alarm function.
- selects a preset radio station.

DBB

- enhances the bass

DSC

- selects different sound effects

⑪ **IR**

- remote sensor

⑫ **AUX**

- connect an auxiliary device here.

Remote Control

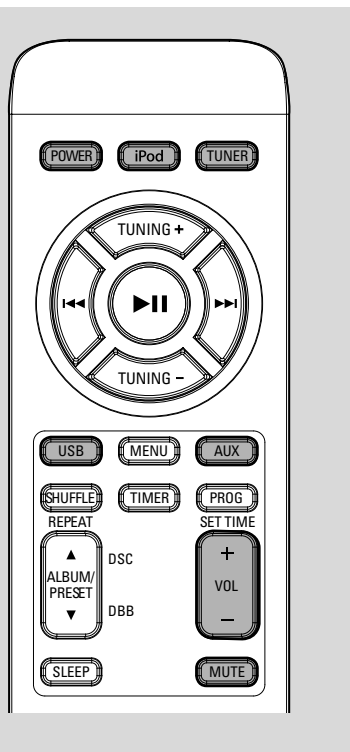
- ① **iPod**
 - selects the sound source for your iPod player.
- ② **Power**
 - switches the system to standby mode.
- ③ **▶ II**
 - (iPod/USB) starts or interrupts playback.
- ④ **Menu**
 - enters iPod menu
- ⑤ **USB**
 - selects sound source for a USB audio player.
- ⑥ **REPEAT/SHUFF**
 - (USB) toggles track/album playback options e.g. repeat or random order mode.
- ⑦ **ALBUM/PRESET▲ / ▼**
 - (USB) skips to the beginning of a previous/ subsequent album.
 - selects a preset radio station.
 - DBB**
 - enhances the bass
 - DSC**
 - selects different sound effects
- ⑧ **SLEEP**
 - selects the sleeper time.
- ⑨ **TUNER**
 - selects the sound source for FM radio.
- ⑩ **TUNING -/+**
 - TUNERtunes to lower/ higher FM frequency.
 - CLOCKadjusts the hour for the clock/ alarm function.
- ⑪ **◀◀ / ▶▶**
 - iPod/USB.....fast searches back and forward within a track (press and hold).
 - skips to the beginning of a current/previous/next track.
 - CLOCKadjusts the minute for the clock/ alarm function.

- ⑫ **Timer**
 - activates/deactivates alarm setting mode
 - turns alarm on/off
- ⑬ **AUX**
 - selects sound source for other audio equipment.
- ⑭ **PROG/SET TIME**
 - (TUNER) programs radio stations.
 - sets the clock function.
 - (USB) programs tracks.
- ⑮ **VOLUME -/+**
 - adjusts the volume level.
- ⑯ **MUTE**
 - interrupts and resumes sound production.

Notes for remote control:

- **First select the source you wish to control by pressing one of the source select keys on the remote control (for example USB/AUX).**
- **Then select the desired function (for example ▶ II, ◀◀, ▶▶).**

Basic Functions



Important!

Before you operate the system, complete the preparation procedures.

Switching the system on

- Press **Power** on the set.
→ The system will switch to the last selected source.
- Press source on the set repeatedly or **USB**, **AUX**, **iPod** or **TUNER** on the remote control.
→ The system will switch to the selected source.

Switching the system to Standby mode

- Press **Power** (or **Power** on the remote control).
→ The volume level (up to a maximum volume of 12), last selected mode, source and tuner presets will be retained in the system's memory.

Power Saving Automatic Standby

As a power-saving feature, the system automatically switches to standby 15 minutes after a USB connected device has reached the end of the last track and no control is operated.

Adjusting volume and sound

- 1 Press **VOLUME +/-** to decrease or increase the volume.
→ Display shows the volume level VoL and a number 0-32.
 - 2 Press **MUTE** on the remote control to interrupt sound reproduction instantly.
→ Playback will continue without sound and **MUTE** appears.
- To activate sound reproduction you can:
 - press **MUTE** again;
 - adjust the volume controls;
 - change source.

Sound Control

DBB and DSC sound features cannot be activated at the same time.

DBB (Dynamic Bass Boost)

DBB enhances the bass response.

iPod/AUX

- Press **ALBUM/PRESET ▼** on the remote or **PRESET -** on the pane to enable/disable DBB feature.

USB/TUNER

- Press and hold **ALBUM/PRESET ▼** on the remote or **PRESET -** on the panel for more than 2 seconds to enable/disable DBB feature.

DSC (Digital Sound Control)

DSC provides a different type of preset sound equalizer setting.

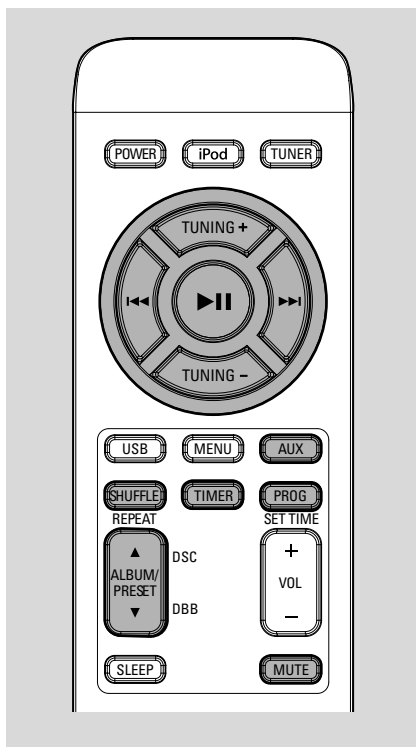
iPod/AUX

- 1 Press **ALBUM/PRESET ▲** or **PRESET +** on the panel to enter DSC mode.
- 2 Press **PRESET +** repeatedly to select: CLASSIC, JAZZ, POP or ROCK.

USB/TUNER

- 1 Press and hold **ALBUM/PRESET ▲** or **PRESET +** on the panel for more than 2 seconds to enter DSC mode.
- 2 Press **PRESET +** repeatedly to select: CLASSIC, JAZZ, POP or ROCK.

USB playback functions



Different play modes: SHUFFLE and REPEAT

You can select and change the various play modes before or during playback. The REPEAT modes can also be combined with PROGRAM.

- 1 To select your play mode, press **REPEAT/SHUFF** before or during playback until the display shows the desired function.
 - If **oNE** appears the current track will play repeatedly.
 - If **ALb** appears the current album will play repeatedly.
 - If **ALL** appears all tracks will be played repeatedly.
 - **SHUFF** appears if shuffle playback is activated and disappears if deactivated.
- 2 To return to normal playback, press the **REPEAT/SHUFF** until **oFF** displayed.

Note:

– The Repeat and Shuffle functions cannot be combined.

Programming track numbers

Program in the STOP position to select and store up to 20 tracks in the memory.

- 1 Press **PROG/SET TIME** on the remote control to enter the programming mode.
 - **Pr 01** appears and **PROG** flashes.
- 2 Press **◀◀/▶▶** to select your desired track number:
- For tracks in a different album, press **ALBUM/PRESET ▲/▼** to select a desired album number:
- 3 Press **PROG/SET TIME** to confirm the track number to be stored.
- 4 Repeat steps 2-3 to select and store all desired tracks.
 - **FULL** appears if you attempt to program more than 20 tracks.
- 5 To start playback of your program, press **▶ II**.

Reviewing programmed tracks

You can review or change the programmed tracks.

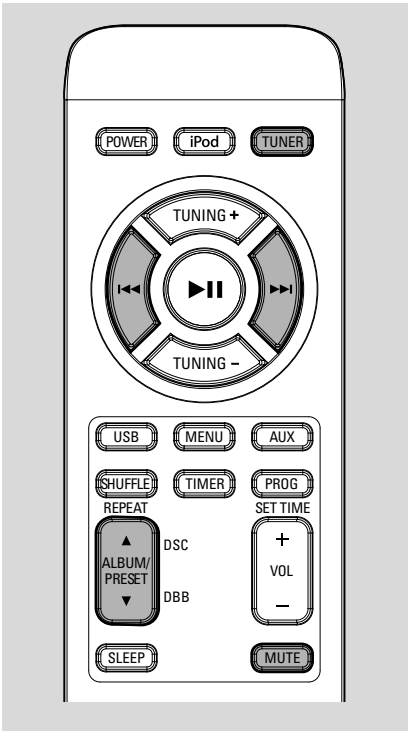
- 1 Press **PROG/SET TIME** repeatedly to review each programmed track.

Changing programmed tracks

- 1 Press **PROG/SET TIME** repeatedly to your desired programmed track.
- 2 Press **◀◀/▶▶** to select your desired track number:
- For tracks in a different album, press **ALBUM/PRESET ▲/▼** to select a desired album number:
- 3 Press **PROG/SET TIME** to confirm the track number to be stored.

Erasing programmed tracks

- 1 To erase your program, press and hold **PROG/SET TIME** for more than 2 seconds.
 - **CLR** appears.



Tuning to radio stations

- 1 Press **TUNER** to select the tuner source.
- 2 Hold **TUNING +/-** (or **◀▶**) on the set) and then release the button.
→ The system will start searching for a radio station with sufficient signal strength.
- 3 Repeat step 2 if necessary until you find the desired station.
- To tune to a weak station, press **TUNING +/-** (or **◀▶**) on the set) briefly and repeatedly.

Programming radio stations

You can store up to a total of 20 radio stations in the memory.

Automatic programming

Automatic programming will start at preset number 1 and all your former presets will be overridden.

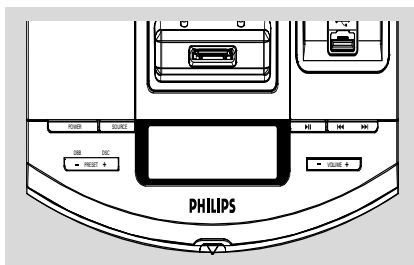
- Press **PROG/SET TIME** for more than 3 seconds to activate programming.
→ All available stations are programmed.

Manual programming

- 1 Tune to your desired station (refer to “Tuning to radio stations”).
- 2 Press **PROG/SET TIME** to activate programming.
→ **PROG** flashes in the display.
- 3 Press **ALBUM/PRESET ▲ / ▼** to allocate a number from 1 to 20 to this station.
- 4 Press **PROG/SET TIME** again to confirm the setting.
→ **PROG** disappears, the preset number and the frequency of the preset station are shown.
- 5 Repeat the above four steps to store other stations.
- You can override a preset station by storing another frequency in its place.

Tuning to preset radio stations

- Press **ALBUM/PRESET ▲ / ▼** until the desired preset station is displayed.

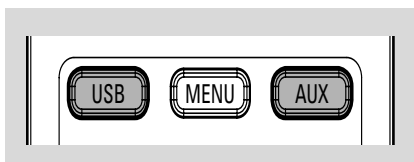


Using a non-USB device

- 1 Connect the audio out terminals of the external equipment (TV, VCR, Laser Disc player, DVD player or CD Recorder) to the AUX socket of your system.
- 2 Press **AUX** to select external equipment.

Note:

– Refer to the operating instructions of your connected equipment for details.



Using a USB mass storage device

By connecting a USB mass storage device to the system, you can enjoy the device's stored music through the system's powerful speakers.

- 1 Check the USB device has been properly connected. (See Installation: Connecting an additional appliance).
- 2 Press **USB** once or more to select USB.
 - **no AUDIO** appears if no audio file is found in the USB device.
- 3 Refer to the Quick Start Guide or the Controls page of this manual for basic playback features.

Playing a USB mass storage device

Compatible USB mass storage devices

You can use:

- USB flash memory (USB 2.0 or USB1.1)
- USB flash players (USB 2.0 or USB1.1)

INFORMATION REGARDING USB

DIRECT:

1. Compatibility of the USB connection on this system:

a) This product supports most USB Mass storage devices (MSD) that are compliant to the USB MSD standards.

i) Most common Mass storage class devices are flash drives, memory sticks, jump drives and etc.

ii) If you see a "Disc Drive" showing up on your computer after you have plugged the mass storage device into your computer, most likely it is MSD compliant and it will work with this system.

b) If your Mass storage device requires a battery/power source please make sure you have a fresh battery inserted or charge the USB device before connecting to the system.

2. Supported Music type:

a) This device only supports unprotected music with the following file extension:

.mp3

.wma

b) Music bought from on-line music stores are not supported because they are secured by Digital Rights Management protection (DRM).

c) File name extensions that end with the following are not supported:

.wav; .m4a; .m4p; .mp4; .aac and etc.

3. Playback of audio files through the system's

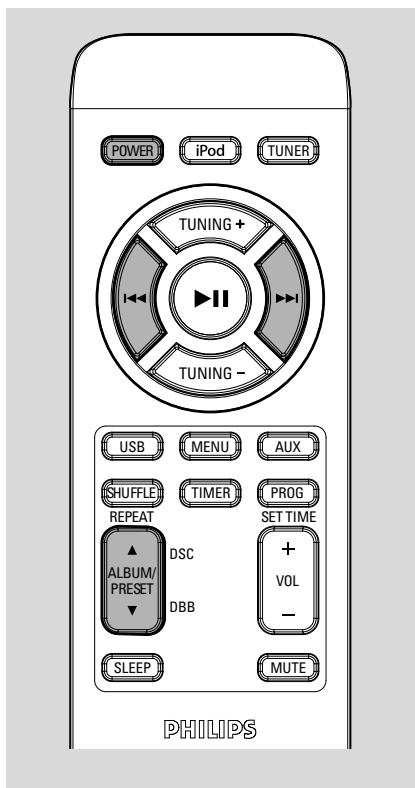
speakers is not possible if you connect directly from your computer to the USB socket.

Supported formats:

- USB or memory file format FAT12, FAT16, FAT32 (sector size: 512-4096 bytes)
- MP3 bit rate (data rate): 32-320 Kbps and variable bit rate
- WMA v9 or earlier
- Directory nesting up to a maximum of 8 levels
- Number of albums/ folders: maximum 99
- Number of tracks/titles: maximum 999
- ID3 tag v2.0 or later
- File name in Unicode UTF8 (maximum length: 128 bytes)

The system will not play or support the following:

- Empty albums: an empty album is an album that does not contain MP3/WMA files, and will not be shown in the display.
- Non-supported file formats are skipped. This means that e.g.: Word documents .doc or MP3 files with extension .dlf are ignored and will not be played.
- AAC, WAV, PCM audio files
- DRM protected WMA files
- WMA files in Lossless format.



- 2 Press **TUNING +/-** to set the hours.
- 3 Press **◀◀▶▶** to set the minutes.
- 4 Press **iPod, TUNER** or **USB** to select the sound source.
- 5 Press **TIMER** to confirm your alarm setting.
→ The display returns to the clock time.

Notes:

The **TUNER** mode is the default source if:

- Your **USB** device contains no **MP3** or **WMA** files.
- You forgot to connect a **USB** device.
- You forgot to dock your **iPod**.

Stopping the alarm

- To cancel the alarm, press **TIMER** in standby or playback mode.
→ appears if activated, and disappears if deactivated.

Sleep timer setting

The sleep timer enables the system to switch off by itself after a set period of time.

- 1 Press **SLEEP** on the remote control repeatedly to select a preset time.
→ The selections are as follows (time in minutes):
120 → 90 → 60 → 30 → 15 → OFF...
→ **SLEEP** is displayed.
- 2 To review the remaining sleep time, press **SLEEP**.

Note:

- If you press **SLEEP** again, this will change your sleep time period to the next shorter preset option.

To deactivate the sleep timer

- Press **SLEEP** repeatedly until "OFF" is displayed, or press **Power**.

Clock setting

The clock uses the 24-hour mode.

- 1 In standby mode, press **PROG/SET TIME** for more than two seconds.
→ The clock digits flash.
- 2 Press **◀◀▶▶** to set the minutes.
- 3 Press **TUNING +/-** to set the hours.
- 4 Press **PROG/SET TIME** to confirm the time.

Setting the timer

You can only set timer in standby mode.

Wake up to FM radio or music from your **USB** device or **iPod**. The clock time needs to be set first before the alarm clock can be used.

- 1 Press **TIMER** for more than 3 seconds to enter the alarm setting mode.
→ appears.
→ The alarm clock digits flash.
→ "Err" appears briefly if you have not set the clock time.

Compatible iPod players

- The docking entertainment system is compatible with all the existing Apple iPod models with 30-pin connector.


Selecting the correct dock adaptor

- Four adapters are included to fit different iPod models including iPod touch (8GB, 16GB), iPod classic (80GB, 160GB), iPod nano 3rd generation (4GB, 8GB), iPod the 5th generation (30GB, 60GB, 80GB), iPod nano 2nd generation (2GB, 4GB, 8GB) and iPod nano 1st generation (1GB, 2GB, 4GB).

Using the dock adaptors

- Before plugging your player in the dock, snap the suitable dock adapter into the dock to provide a snug fit for the player to be docked

Playing an iPod portable player

- 1 Correctly dock your iPod portable player in the cradle. Make sure the dock adaptor is compatible.
- Make sure that you have powered on your iPod player before selecting iPod source.
- 2 Press **iPod** on the remote control to select iPod source.
→ The iPod dock icon  appears.
- 3 Playback starts automatically. Playback functions play, skip, fast search and, pause are possible using the controls on this system and its remote control.

Charging iPod battery using the dock

- In iPod mode, directly dock your iPod portable player on the cradle for charging.

Note:

–For the purpose of saving power, recharging of your USB device and iPod is Not Supported when the main set is in Eco Power mode.

Specifications

AMPLIFIER

Output power 50W+2 x 25W
..... 50W+2 x 25W
Signal-to-noise ratio ≥ 70 dBA
Frequency response 50 Hz – 20 KHz, ± 3 dB
Input sensitivity AUX 0.5 V (max. 2 V)

SUBWOOFER

Frequency response 50 Hz – 1KHz
Impedance 8 Ω
Rated power 50W

TWEETER

Frequency response 160 Hz – 16 KHz
Impedance 4 Ω
Rated power 2 x 25W

TUNER

FM wave range 87.5 – 108 MHz
Sensitivity at 75 Ω
– FM 20dBf
Total harmonic distortion $\leq 1\%$
Frequency response
– FM 63 – 6000 Hz
Signal-to-noise-ratio
– FM ≥ 50 dBA

USB PLAYER

USB 12Mb/s, V1.1
..... support MP3 and WMA files
Number of albums/folders maximum 99
Number of tracks/titles maximum 999

GENERAL INFORMATION

AC Power 110-127 V/60 Hz, 230 – 240V / 50Hz
Dimensions (w x h x d) 300 x 300 x 1024 (mm)
Weight 10.1 kg
Standby power consumption <7 W

**Specifications are subject to change
without notice.**

WARNING

Under no circumstances should you try to repair the system yourself, as this will invalidate the warranty. Do not open the system as there is a risk of electric shock.

If a fault occurs, first check the points listed below before taking the system for repair. If you are unable to remedy a problem by following these hints, consult your dealer or Philips for help.

Problem	Solution
“NO USB” is displayed.	<ul style="list-style-type: none"> ✓ Insert a a USB device.
Radio reception is poor.	<ul style="list-style-type: none"> ✓ If the signal is too weak, adjust the antenna or connect an external antenna for better reception. ✓ Increase the distance between the unit and your TV or VCR. ✓ Position the FM antenna away from the speaker wires to avoid electrical interference.
The system does not react when buttons are pressed.	<ul style="list-style-type: none"> ✓ Remove and reconnect the AC power plug and switch on the system again.
Sound cannot be heard or is of poor quality.	<ul style="list-style-type: none"> ✓ Adjust the volume. ✓ Disconnect the headphone.
The remote control does not function properly.	<ul style="list-style-type: none"> ✓ Select the source (e.g.TUNER) before pressing the function button (▲/▼, ◀◀/▶▶). ✓ Reduce the distance between the remote control and the system. ✓ Insert the battery with its polarities (+/- signs) aligned as indicated. ✓ Replace the battery. ✓ Point the remote control directly toward IR sensor on the front of the system.
The alarm function is not working.	<ul style="list-style-type: none"> ✓ Set the clock time correctly. ✓ Switch on the alarm.
The Clock setting is erased.	<ul style="list-style-type: none"> ✓ Power has been interrupted or the power cord has been disconnected. Reset the clock.

AUSTRALIA - Philips Manufacturers Warranty for Australia only

These warranty conditions are valid for the following consumer electronics products: **Colour Televisions, Projection TV, Plasma & LCD TV, Video Cassette Recorders, CD Recorders & Players, DVD Players, DVD Recorders, DVD Recorders with HDD, Audio Systems, Home Theatre systems, Digital Set Top Box & Portable Audio products.**

The benefits given to the purchaser by this warranty are in addition to all other rights and remedies which the purchaser has in respect of the product under the Trade Practices Act or other Commonwealth or State Law.

Philips Consumer Electronics warrants its products to the purchaser as follows and subject to the stated conditions.

1 Year Free Repair Service - at Philips ASC

Colour Television, Plasma Television, LCD Television, Projection Television, DVDR/VCR Combo, DVD Recorders with Hard Drive, LCD Projectors, Wireless Audio Systems, Audio Systems, Home Theatre Systems & Digital Set-Top-Box.

1 Year free Replacement – at your Retailer

Portable Audio, MP3 Infotainment products, Video Cassette recorders, DVD Player, DVD/VCR Combo Player, DVD Recorder without HDD & Portable DVD/LCD players.

Conditions of Repair Warranty

1. All claims for warranty service should be made to your nearest Philips Authorised Service Centre or the Philips Technology Care Centre. Reasonable evidence of date of purchase must be provided.
2. This warranty extends only to defects in material or workmanship occurring under normal use of the product when operated in accordance with the instructions.
3. If a replacement product is supplied under the repair policy it is warranted, under this warranty, for the remainder of the warranty of the original purchased product only.
4. Home service is provided only within the normal service area of one of our recommended Authorised Service Centres (ASC). It will be provided for television receivers only with a screen side of 67cms or above (product includes CRT, LCD TV, PTV, and Plasma TV). Televisions with screen side less than 67cms and all other products types are to be taken or sent by the consumer to the workshop of your nearest Authorised Service Centre, at the Consumer's expense.
5. This Manufacturers Warranty is limited to 3 months for the above listed Consumer Electronics products if used in commercial applications.
6. Philips may, at its discretion choose to replace rather than repair any product covered by this warranty.
7. Product accessories are covered by the same warranty period. Please contact the Philips Technology

Care Centre for free replacement of faulty accessories.

8. This Manufacturers Warranty is neither transferable nor valid in countries other than Australia.

This warranty does not cover:

- a) Mileage or travel outside the normal service area covered by selected Authorised Service Centre.
- b) Service costs arising from failure to correctly adjust the controls of the product or to observe the instructions, or inspections that reveal that the product is in normal working order.
- c) Product failures caused by misuse, neglect, accidental breakage, transit damage, inexpert repairs or modification by un-authorised persons, external fires, lightning strikes, floods, vermin infestation or liquid spillage.
- d) Cleaning of video or audio heads.
- e) Inadequate receiving antennae.
- f) Replacement of worn or used batteries or other consumables.
- g) Consumer products used in commercial applications (This warranty is limited to 3 months only).
- h) Second hand products.

The conditions contained in this warranty card replace and override the provision of the Philips World-Wide Guarantee for products purchased in Australia and used in Australia.

Service is provided through more than 100 accredited Authorised Service Centres throughout Australia. For direct contact with the nearest recommended Authorised Service Centre in capital & regional cities/towns

Authorised Service Centre Network

1300 361 392

Customer support is provided in Australia by our trained call centre staff. For assistance with product features and specifications, please call

Technology Care Centre

1300 363 391

Please record the following information for your records and keep in a safe place. We recommend retaining your purchase receipt to assist with any warranty claim.

Model number:.....

Serial number:.....

Date of purchase:.....

Retailer:.....

Philips Consumer Electronics

a division of **Philips Electronics Australia Limited**
ABN 24 008 445 743,
Level 1, 65 Epping Road NORTH RYDE NSW 2113.

Warranty valid for all new products purchased after **1st January 2007**

NEW ZEALAND - Guarantee and Service for New Zealand

Thank-you for purchasing this quality Philips product.

Philips New Zealand Ltd guarantees this product against defective components and faulty workmanship for a period of 12 months. Any defect in materials or workmanship occurring within 12 months from the date of purchase subject to the following conditions will be rectified free of charge by the retailer from whom this product was purchased.

Conditions

- 1.** The product must have been purchased in New Zealand. As proof of purchase, retain the original sales docket indicating the date of purchase.
- 2.** The guarantee applies only to faults caused by defective components, or faulty workmanship on the part of the manufacturer.
- 3.** The guarantee does not cover failures caused by misuse, neglect, normal wear and tear, accidental breakage, use on the incorrect voltage, use contrary to operating instructions, or unauthorised modification to the product or repair by an unauthorised technician.
- 4.** Reasonable evidence (in the form of a sales docket) must be supplied to indicate that the product was purchased no more than 12 months prior to the date of your claim.
- 5.** In the event of a failure, Philips shall be under no liability for any injury, or any loss or damage caused to property or products other than the product under guarantee.

This guarantee does not prejudice your rights under common law and statute, and is in addition to the normal responsibilities of the retailer and Philips.

How to claim

Should your Philips product fail within the guarantee period, please return it to the retailer from whom it was purchased. In most cases the retailer will be able to satisfactorily repair or replace the product.

However, should the retailer not be able to conclude the matter satisfactorily, or if you have other difficulties claiming under this guarantee, please contact

The Guarantee Controller

Philips New Zealand Ltd.

✉ **P.O. Box 41.021**

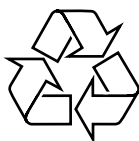
Auckland

☎ **(09) 84 94 160**

fax ☎ **(09) 84 97 858**

Meet Philips at the Internet
<http://www.philips.com>

English



DC570



Printed in China

PDCC-2008